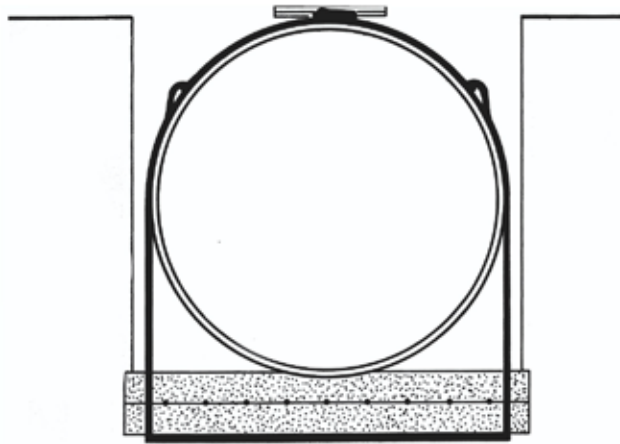


TANKLASH WOVEN NYLON STRAPS



PATENT APPN. 81.27759

LASHING KIT INCLUDES:

- 1 Anchor strap fitted with protective corners
- 1 Tension strap with ratchet attached.

WEIGHT 5 to 6kgs per lashing according to tank dia.

The Ratchet Tensioner.

- 1 TO TENSION** Pull webbing through ratchet, taking-up all slack.



- 2** Pump handle and tension as tight as possible. Close ratchet as in fig.3



- 3 TO RELEASE FOR RETENSIONING**

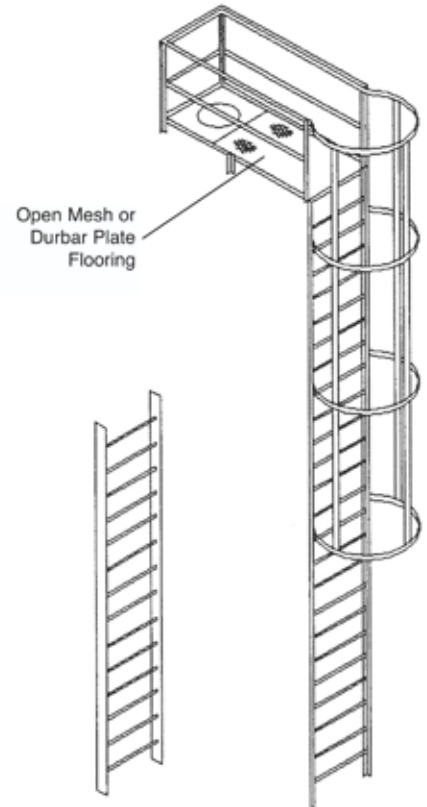
Pull release pawl bar and hold



- 4** Push handle flat through 180° to release safety catch.



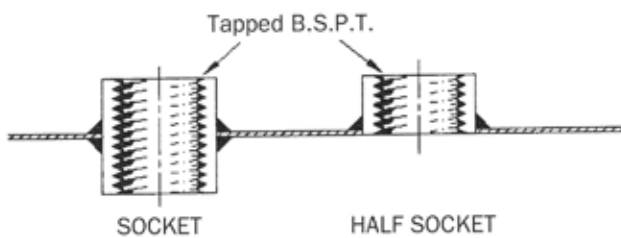
LADDERS



INTERNAL LADDER

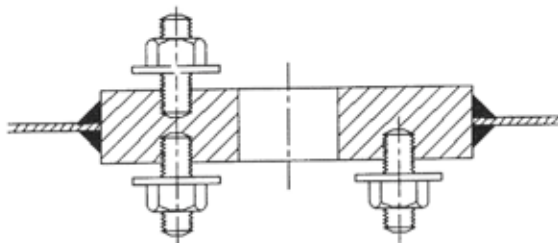
EXTERNAL CAGED LADDER & PLATFORM

TYPICAL CONNECTIONS



SOCKET

HALF SOCKET

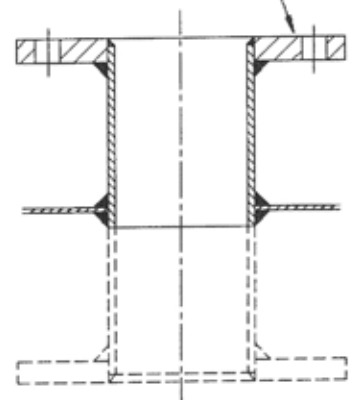


Studs both sides.
Double Pad.

Stud one side.
Single pad.

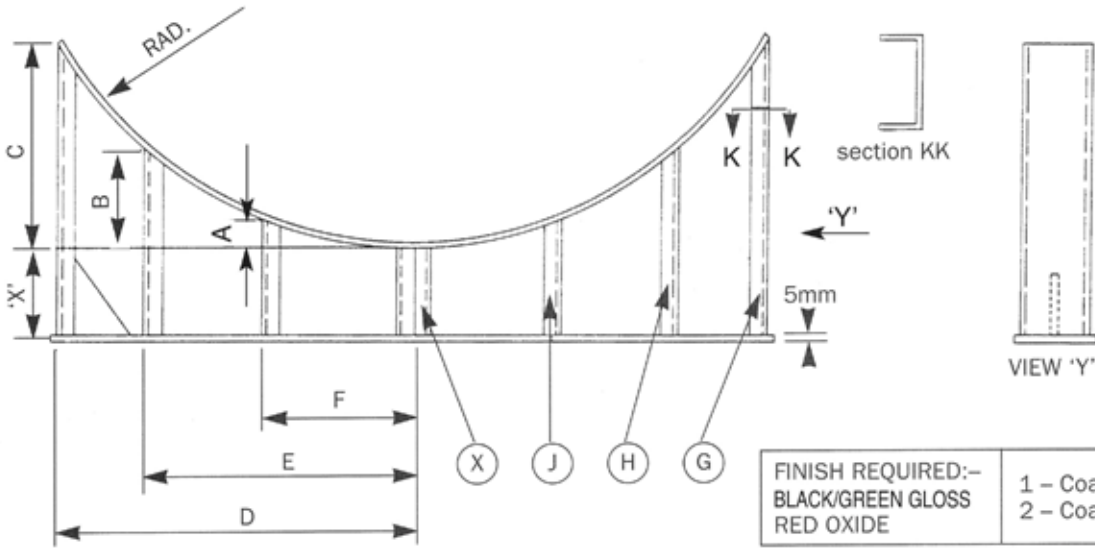
PAD

For details to B.S. 10 B.S. 4505 etc.



BRANCH

Connections can be located in any position



FINISH REQUIRED:-
 BLACK/GREEN GLOSS
 RED OXIDE

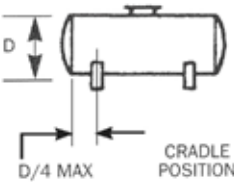
1 - Coat
 2 - Coats

PLEASE NOTE:-
 IS FALL REQUIRED ON
 CRADLES?

YES / NO

IF **YES** FULL IN DIM. 'X'
 MIN. & MAX. BELOW
 IN **NO** FILL IN DIM. 'X'
 MIN. ONLY

BS 799: PART 5:
 MIN. HEIGHT=150mm
 STD. FALL=1.50mm



CRADLE FORM
 FOR TANKS
 1372 to 1676mm
 DIAMETER



4-UPRIGHTS

CRADLE FORM
 FOR TANKS
 1829 to 2438mm
 DIAMETER



6-UPRIGHTS

CRADLE FORM
 FOR TANKS
 2591 to 3000mm
 DIAMETER



8-UPRIGHTS

No. Tank Off	Dim. 'X' Min. Max	Saddle Plate	Rad.	Gussett	Base	Sect. 'KK'	No. of Up-rights	A	B	C	D	E	F
1372		1480 x 127 x 6	692	230 x 230 x 6	1270 x 127 x 5	102 x 50	4			350	605		
1524		1645 x 127 x 6	768	230 x 230 x 5	1371 x 127 x 5	102 x 50	4			387	670		
1676		1803 x 152 x 6	845	230 x 230 x 5	1486 x 152 x 5	127 x 50	4			403	730		
1829		1962 x 152 x 6	921	230 x 230 x 5	1638 x 152 x 5	127 x 50	6	127	464	803	464		
1981		2089 x 178 x 6	997	254 x 254 x 5	1765 x 178 x 5	152 x 50	6	133	502	868	502		
2134		2254 x 203 x 6	1073	305 x 254 x 5	1892 x 203 x 5	178 x 50	6	144	540	935	540		
2286		2400 x 203 x 6	1150	305 x 230 x 5	2019 x 203 x 5	178 x 50	6	152	575	995	578		
2438		2578 x 230 x 6	1226	305 x 254 x 5	2184 x 230 x 5	203 x 50	6	165	616	1073	622		
2591		2737 x 230 x 6	1302	305 x 254 x 5	2311 x 230 x 5	203 x 50	8	79	307	654	1133	841	448
2743		2896 x 254 x 6	1378	305 x 254 x 5	2426 x 254 x 5	230 x 50	8	83	324	692	1200	890	473
3000		3180 x 254 x 6	1506	305 x 254 x 5	2640 x 254 x 5	230 x 50	8	92	358	755	1310	972	517

JA Envirotanks
 PO Box 16
 Charles Henry Street
 Birmingham B12 0SP

CUTTING SIZES

		No. OFF 5mm	X	J	H	G
SADDLE 6mm PLATE	X		X			
No. OFF			X	X	X	X
SADDLE 5mm PLATE	X		X	X	X	X
No. OFF			X	X	X	X
SADDLE 5mm PLATE	X		X	X	X	X
No. OFF			X	X	X	X

WK. EX-SALES REQ'D WK/No. SEE ALSO MF No. MF No. / /