

British Telecom Type Cylindrical Underground Tanks

To drawing DPOS/4/3001.

Manufactured generally in accordance with BS 799: Part 5: Type 'B' in 6mm mild steel plate.

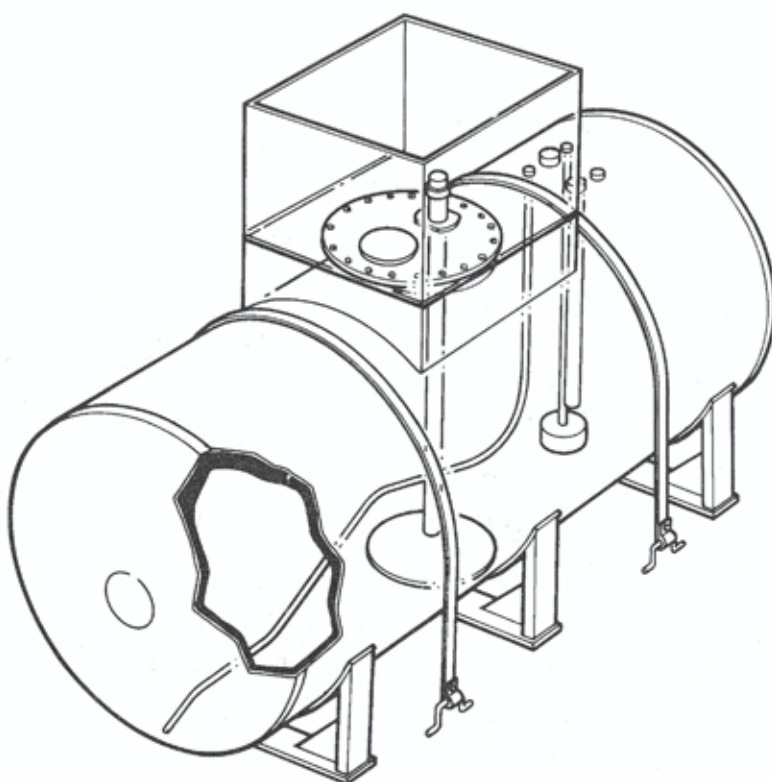
Complete with manhole, internal pipework, filter, gauge, dipstick, cap and chain, access shaft, holding-down straps, but not anchors for setting in the base.

Tested to 1.5 bar (22.5 psi).

Finished two coats black bitumen externally (for concrete encasement)

To British Telecom specification.

Working drawings provided for Insurance Companies approval.



Dimensions and Capacities

Cat No.	Nom. Capacity litres	Overall Length meters	Internal Diameter metres	Weight kg
P01	2520	1.82	1.37	605
P02	2710	2.42	1.22	645
P03	4770	3.33	1.37	934
P04	8610	3.50	1.83	1340
P05	10590	3.58	1.98	1496
P06	11840	3.50	2.13	1608
P07	16210	4.72	2.13	2016
P08	29060	5.19	2.74	2911
P09	38070	6.72	2.74	3566
P10	56100	9.77	2.74	4877